

hoteltronic

Model 1507 IoT Server Cabinet Lock

yeeka ELECTRONIC
LOCK

yeeka INDUSTRIAL
HARDWARE



hoteltronix

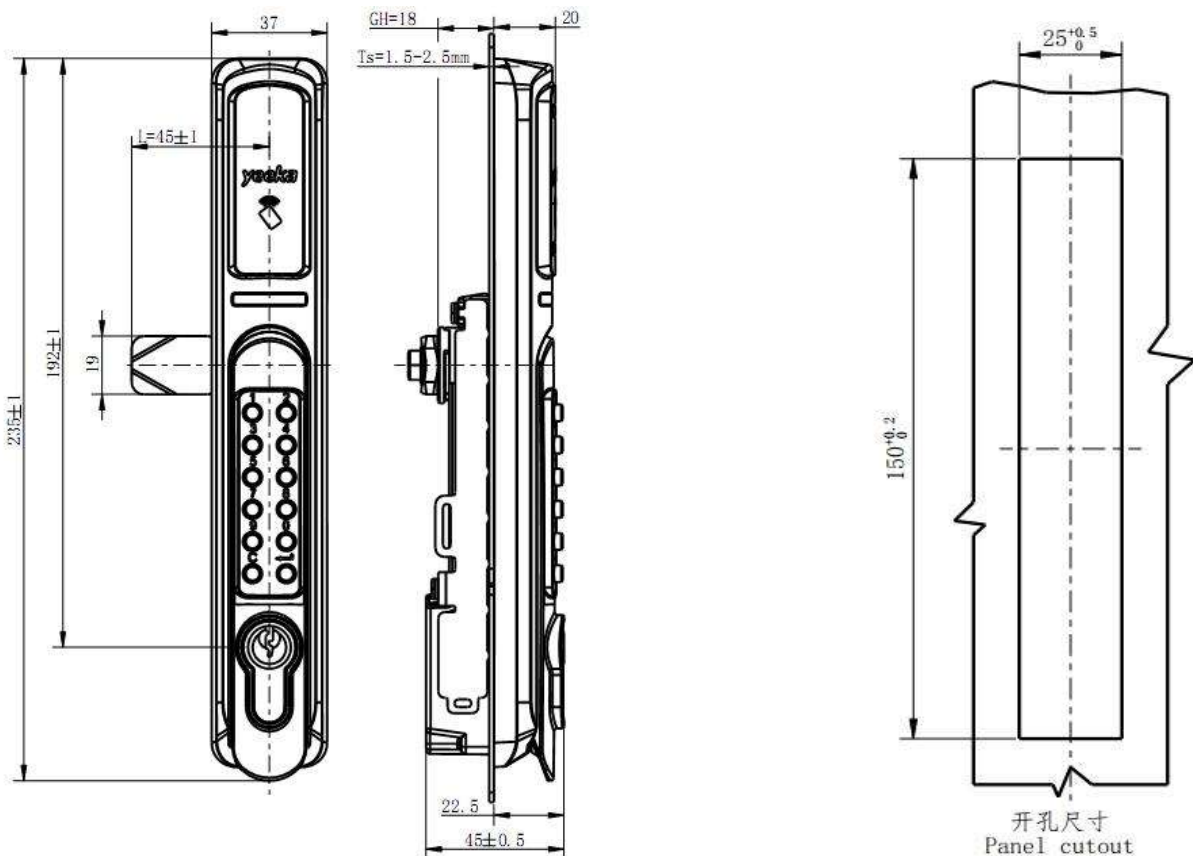
1507 IoT Lock

The 1507 series IoTLock is suitable for data center, which can solve the problem of authority management and data asset security. There are various access ways. It can be used on a stand-alone basis, local area network, or Ethernet.

APC, Emerson, Vertiv, Eaton, ToTen, Panduit, CPI

High versatility of the cabinet. The lock is suitable for the cabinet of APC, Emerson, Vertiv, Eaton, Toten, Panduit, CPI and etc

Easy to use, install and maintain



hoteltronix

Applications



Data center



Electric Internet of Things



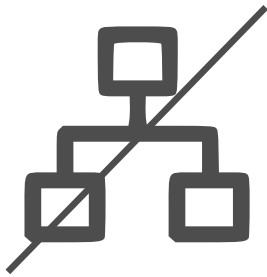
Communication Base Station



Smart Cities

hoteltronix

The pain spot of Mechanical lock



No authority management

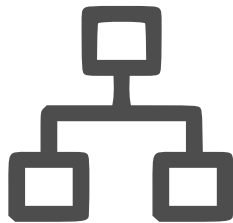


Unable to query the unlock record



Key needs to be managed by specially-assigned person

The advantages of IoT lock



Authority management is available



Unlock records can be queried



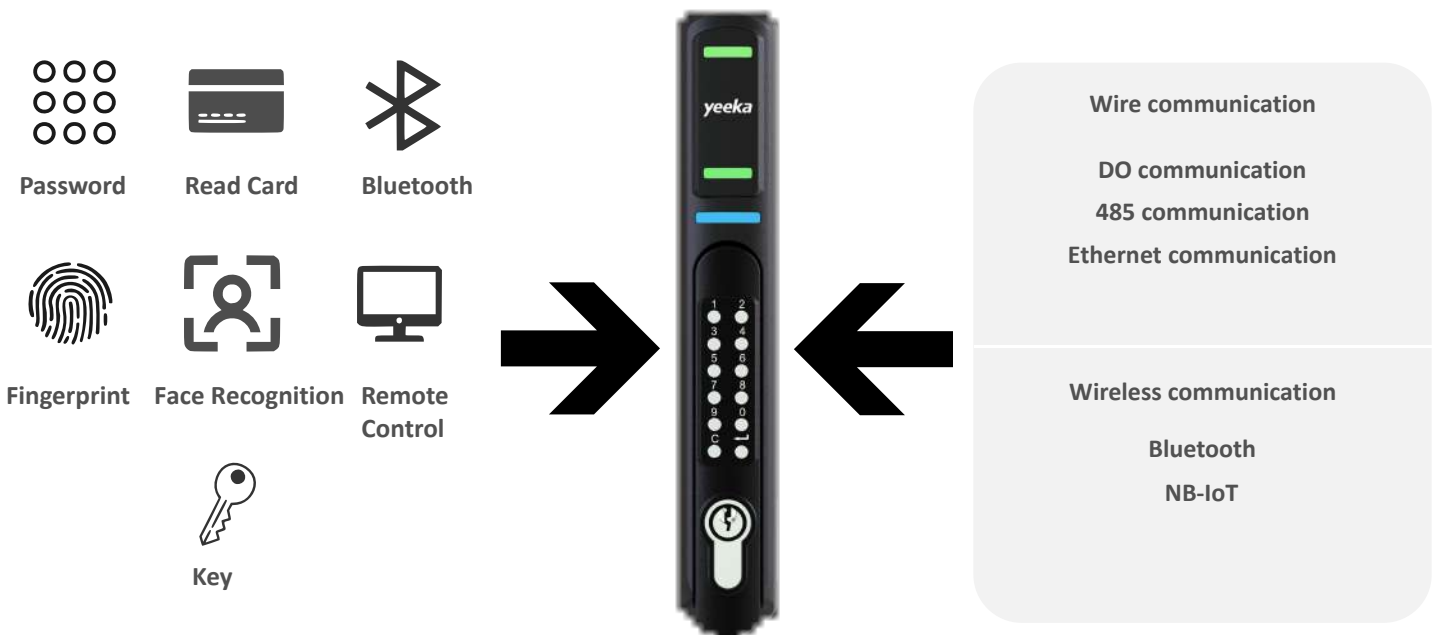
Diversified access ways

hoteltronix

What is IoT lock ?



Access ways of IoT lock



hoteltronix

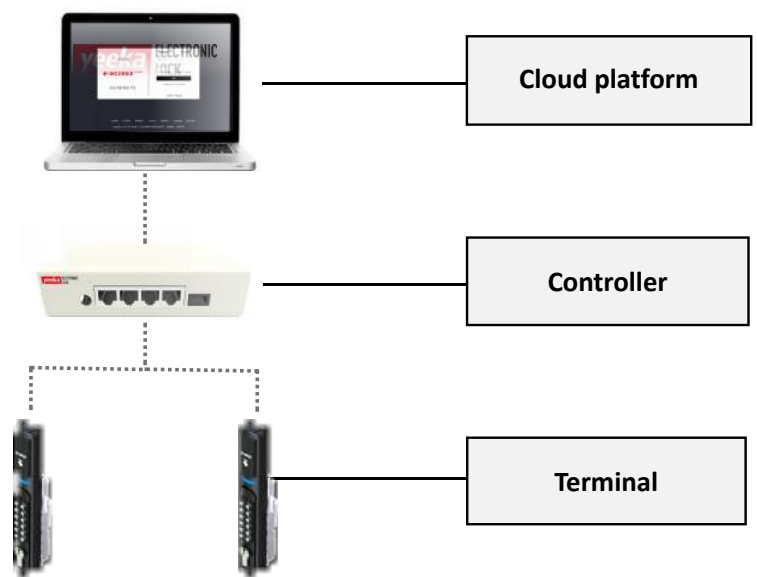
What is an IoT Lock system?

Concept

Cloud is cloud platform, which refers to a comprehensive platform that provides cloud services to end users

The tube is the controller, which refers to the data pipeline from the cloud to the terminal (here refers to the controller)

End-to-end refers to the mobile terminal equipment that can access the Internet (here refers to interlocking things)



Cloud platform



<https://eaccessbyyeeka.com/#login>

Features

Monitor Center

Equipment Management

User Management

Task Management

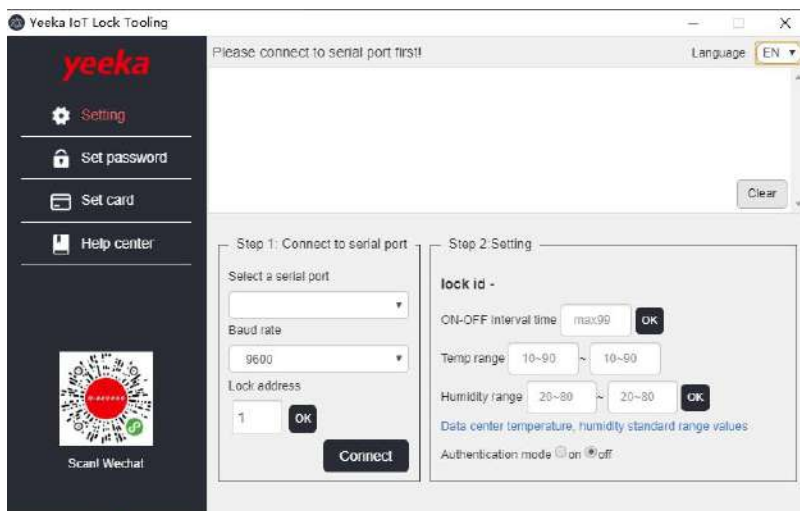
Records Query

Data Analysis

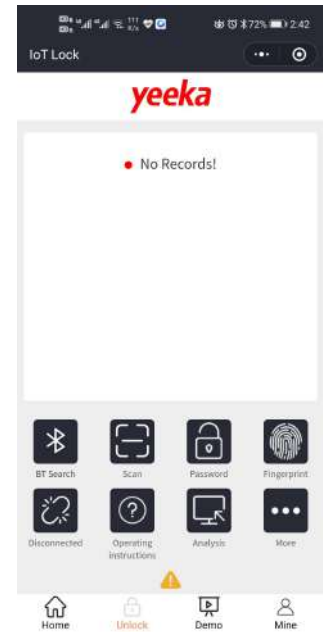
sales@hoteltronix.co.za

hoteltronix

Management software

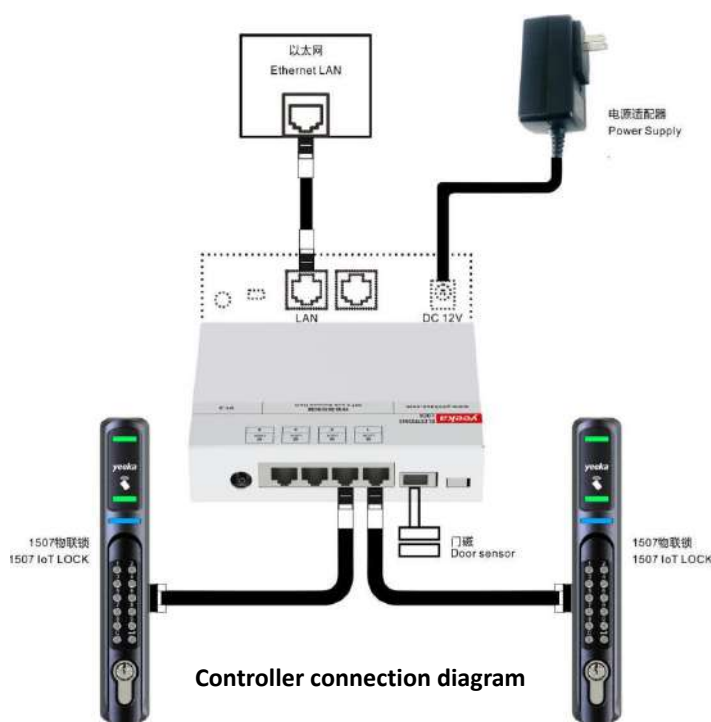


Computer software



APP

Controller



Controller connection diagram



1580 controller can connect the lock to the Ethernet and be powered by power adapter. And then supplies power to the IoT lock. The controller can be connected with 4 IoT lock.

hoteltronix

IoT Lock can be connected to device



Smart PDU



**Power & environment
supervision master**



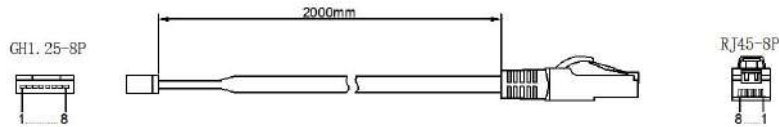
Smart PLC



**Operation and
maintenance robot**

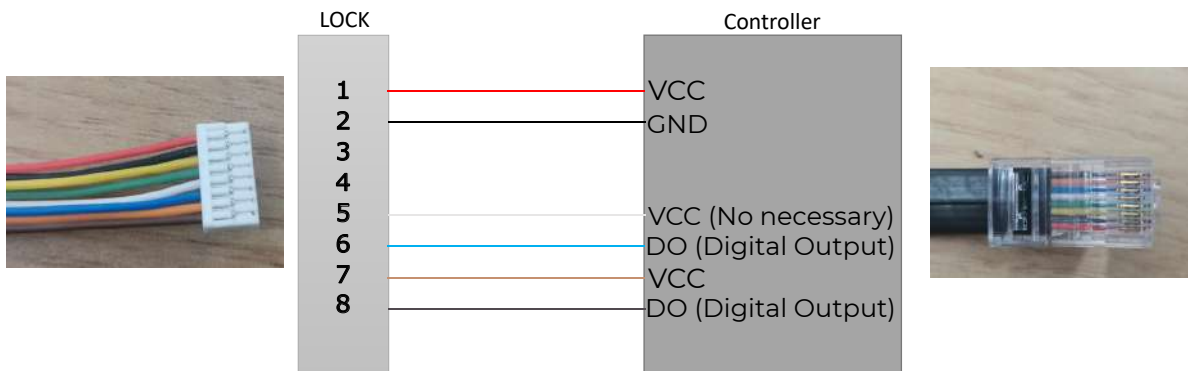
hoteltronix

Wiring Diagram

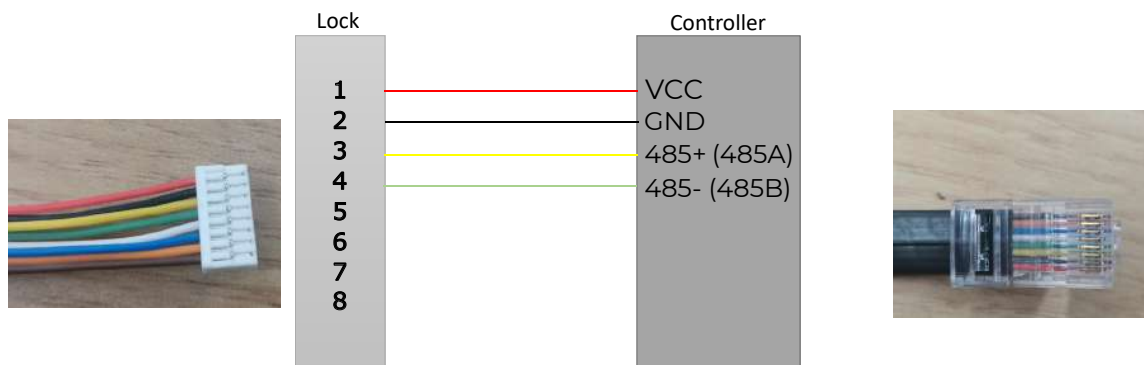


引脚序号 Pin	颜色 Color	定义信号Signal Definition	备注 Note
1	Red	V _{supply}	12V DC power supply input
2	Black	V _{GND}	ground
3	Yellow	485+	RS-485 communication
4	Green	485-	RS-485 communication
5	White	V _{supply(internal)}	12V DC power supply input
6	Blue	Control Signal	Command input (200 milliseconds minimum)
7	Orange	V _{supply(internal)}	12V DC power supply input
8	Brown	Electronic Lock Status	Open collector output(rated for vcc 100mA MAX)

(Digital Output/Digital Input) control



RS485 communication Control

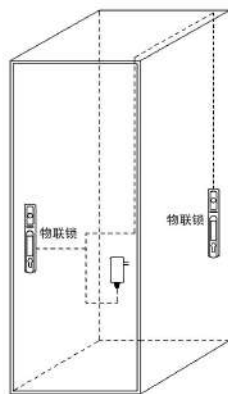


Notice

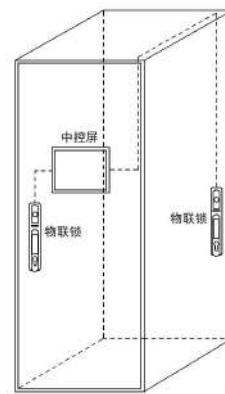
- Wrong wiring sequence will damage the lock
- Excessive screw torque will damage the housing stud during installation.

hoteltronix

Single Cabinet solution

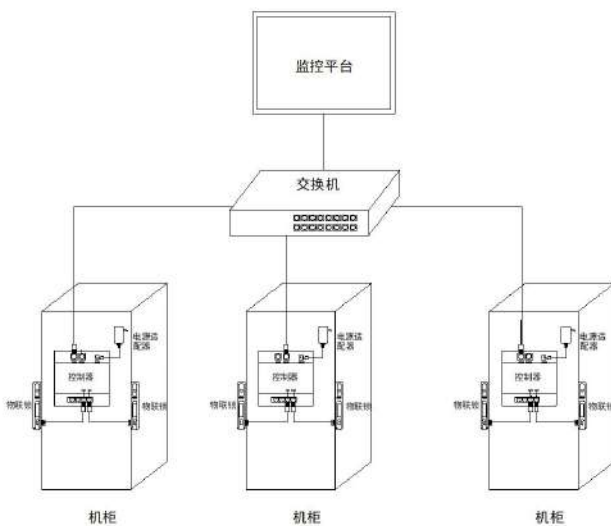


Single Cabinet without screen solution

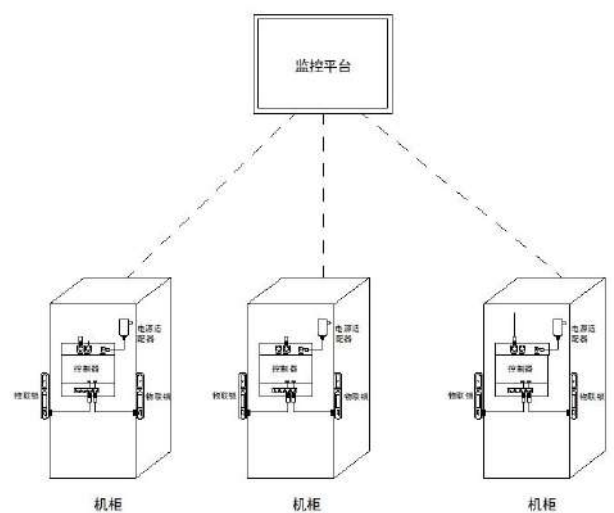


Single Cabinet with screen solution

Group of Cabinet solution



Group of cabinet solution (Indoor)



Group of cabinet solution (Outdoor)

hoteltronix

Case 1



A data center in Hong Kong



12V Power Supply

Solution Type	Single Cabinet without screen solution
Part no.	1507-12126-20
Access way	Mechanical key+Remote Control+Keypad password+IC card

Case 2



A data center in Hong Kong



Control panel

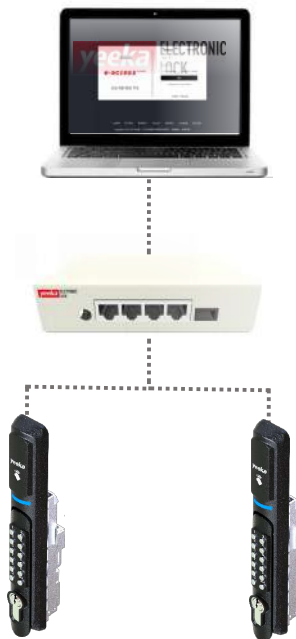
Solution Type	Single Cabinet with screen solution
Part no.	1507-12126-20
Access way	Mechanical key + Remote Control + Keypad password + IC card

hoteltronix

Case 3



A data center for a communications industry in Taiwan

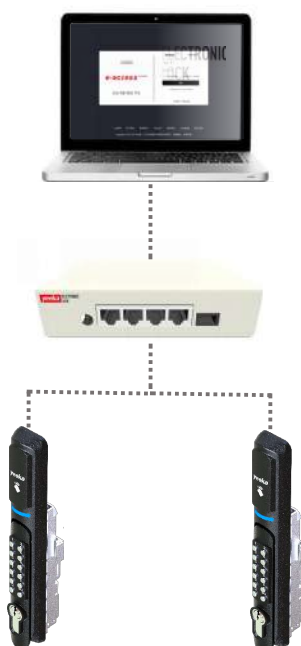


Solution Type	Group of cabinet solution (Indoor)
Sales Model	C (Only purchase lock)
Communication method between lock and controller	☐☐☐
Part no.	1507-126-20
Access way	Mechanical key+Remote Control

Case 5



A data center in Shanxi



Solution Type	Group of cabinet solution (Indoor)
Sales Model	B(Purchase lock and controller)
Communication method between lock and controller	RS485
Part no.	1507-1246-20
Access way	Mechanical key+Remote Control+Finger Print
Note	If someone is fingerprinted in one place, the fingerprint can be distributed to any lock through software.

hoteltronix

CONTACT INFORMATION

 011 568 2020

 sales@hoteltronix.co.za

 hoteltronix.co.za



sales@hoteltronix.co.za

